

**LAVASTOVIGLIE SOTTOTAVOLO  
 UNDERCOUNTER DISHWASHER**
**NUC/ EUC/ KUC/ NUCA/ ZUCA/ FUCA/ EUCA**

Code	Type	Ref.	Pagina/ Page	Code	Type	Ref.	Pagina/ Page
400035	EUC1/2	c2	2 3 4 6				
400036	EUC1DP/2	c3	2 3 4 6	400116	FUCA3DD	v	2 3 5 6
400040	EUC3/2	c4	2 3 4 6	400120	NUC1DPP	a8	2 3 4 6
400041	NUC3DD	o	2 3 4 6	400121	EUC1DDM60	b9	2 3 4 6
400045	EUC3DP/2	c5	2 3 4 6	400122	NUC1DUK	b4	2 3 4 6
400046	EUC3DD/2	c6	2 3 4 6	400123	NUC1DDUK	b5	2 3 4 6
400049	ZUC1	d3	2 3 4 6	400127	KUC3	m	2 3 4 6
400050	ZUC1DP	d4	2 3 4 6	400128	KUC3DP	n	2 3 4 6
400053	ZUC3	d5	2 3 4 6	400130	NUC1DDRUKP	b6	2 3 4 6
400055	EUC1	a	2 3 4 6	400131	NUCA1GRUK	b7	2 3 5 6
400056	EUC1DP	c	2 3 4 6	400132	NUC3DPP	c1	2 3 4 6
400059	EUC3	b	2 3 4 6	400133	NUC1D	b2	2 3 4 6
400061	EUC3DP	d	2 3 4 6	400134	NUC1DD	b3	2 3 4 6
400063	EUC1G	w	2 3 4 6	400137	EUCA1DP	a5	2 3 5 6
400064	EUC1DP60	i	2 3 4 6	400138	NUC1GMS	a6	2 3 4 6
400065	EUC3DD	e	2 3 4 6	400139	EUC3DPCAG	a7	2 3 4 6
400066	ZUCADDDROW	a1	2 3 5 6	400140	NUC1	f	2 3 4 6
400067	ZUCADDDROW60	a2	2 3 5 6	400141	NUC1DP	g	2 3 4 6
400068	EUCADD60	b1	2 3 5 6	400144	NUC3	h	2 3 4 6
400069	ZUC3DP	d6	2 3 4 6	400146	NUC3DP	k	2 3 4 6
400070	ZUC3DD	d7	2 3 4 6	400149	NUC1DP60	q	2 3 4 6
400073	EUC1G/2	c7	2 3 4 6	400150	NUC1DPA	r	2 3 4 6
400074	EUCA1DDG	c8	2 3 5 6	400151	ZUCA1	s	2 3 5 6
400075	EUC1DP60	d1	2 3 4 6	400152	ZUCA3	t	2 3 5 6
400076	ZUC1DP60	d2	2 3 4 6	400153	EUCADDDROW	a3	2 3 5 6
400077	EUC1GMS	c9	2 3 4 6	400154	EUCADDDROW60	a4	2 3 5 6
				400155	NUC1DPDD	b8	2 3 4 6

**Pagina/ Page**

3  
4  
5  
6  
7  
7 - 14

**Indice/ index**

Vista generale / Main view  
 Componenti idraulici / Hydraulic components  
 Circuito idraulico a pressione / Pressurized plumbing circuit  
 Circuito idraulico atmosferico / Atmospheric plumbing circuit  
 Componenti elettrici / Electrical components  
 Lista ricambi / Spare parts list

**Marchio/ Brand:** Z - A - E  
**Paese/ Country:** Tutti/ All

Da Ser.Nr./From Ser.nr.: /839...

Page: 1 Ed. 2017-03

**Doc. Nr.: 595665K00**

**LAVASTOVIGLIE SOTTOTAVOLO  
 UNDERCOUNTER DISHWASHER**
**NUC/ EUC/ KUC/ NUCA/ ZUCA/ FUCA/ EUCA**

Code	Type	Ref.	Pagina/ Page
698005	NUCA1DDG	z	2 3 5 6
690028	NUC1G	x	2 3 4 6
698049	NUCA1DPDDG	a9	2 3 5 6



**PLATON SERVICE**

8 (800) 500-34-41

www.platonservice.com

**Pagina/ Page**

3

4

5

6

7

7 - 14

**Indice/ index**

Vista generale / Main view

Componenti idraulici / Hydraulic components

Circuito idraulico a pressione / Pressurized plumbing circuit

Circuito idraulico atmosferico / Atmospheric plumbing circuit

Componenti elettrici / Electrical components

Lista ricambi / Spare parts list

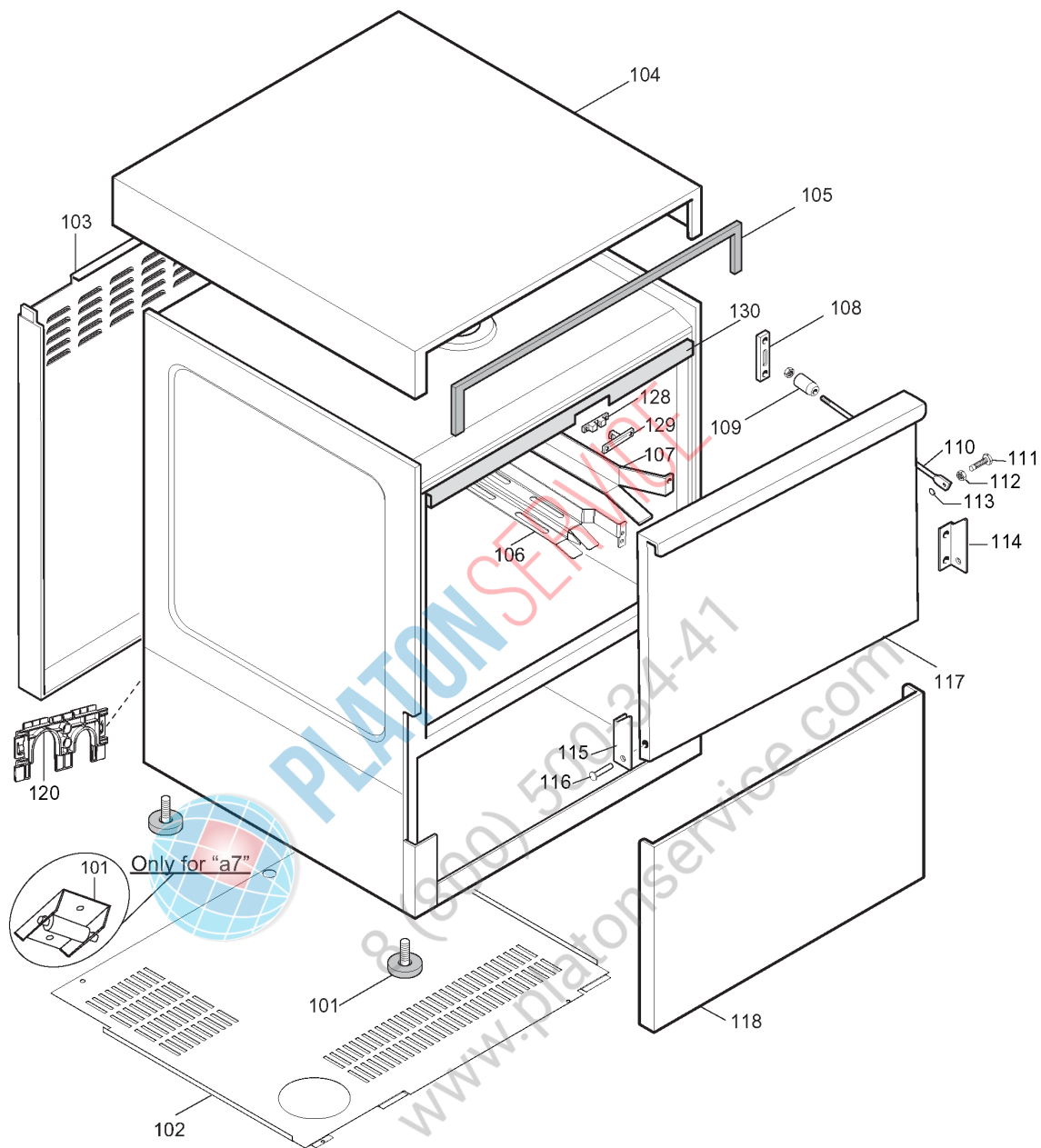
**Marchio/ Brand:** Z - A - E

**Paese/ Country:** Tutti/ All

Da Ser.Nr./From Ser.nr.: /839...

Page: 2

**Doc. Nr.: 595665K00**



ill. 595665K00\_p2  
 Vista generale / Main view

Da Ser.Nr./From Ser.nr.: /839...

Page: 3 Ed. 2011-07

Doc. Nr.: 595665K00

??????	400041										
??????	595665K00	???????? 3	Main view								
.		Alias		S			.				(Euro)
0101	049393								LEVELLING FOOT; Ø=30MM; H=31MM		1,35
0102	0L2434								BOTTOM	Up to Ser. Nr.: 048	45,17
0102	0TT903				D				BOTTOM; LS5	Up to Ser. Nr.: 047	
0103	0L1888								BACK PANEL; LS5 STANDARD	c2,c3,c4,o,c5,c6,d3,d4,d5,a,c, b,d,w,i,e,d6,d7,c7,c8,d1,d2,c9 ,a8,b9,b4,b5,m,n,b6,c1,b2,b3, a6,a7,f,g,h,k,q,r,b8,x - Up to Ser. Nr.: 012	78,87
0103	0L1889		0L2567						BACK PANEL; LS5	c2,c3,c4,o,c5,c6,d3,d4,d5,a,c, b,d,w,i,e,a1,a2,b1,d6,d7,c7,c8 ,d1,d2,c9,v,a8,b9,b4,b5,m,n,b 6,c1,b2,b3,a5,a6,a7,f,g,h,k,q,r ,s,t,a3,a4,b8,x - Up to Ser. Nr.: 029 - From Ser. Nr.: 013	
0103	0L2567								BACK PANEL	c2,c3,c4,o,c5,c6,d3,d4,d5,a,c, b,d,w,i,e,a1,a2,b1,d6,d7,c7,c8 ,d1,d2,c9,v,a8,b9,b4,b5,m,n,b 6,c1,b2,b3,a5,a6,a7,f,g,h,k,q,r ,s,t,a3,a4,b8,x - From Ser. Nr.: 030	93,38
0104	0L0122								COVER; ASSY	Up to Ser. Nr.: 012	162,40
0104	0L0257								COVER	From Ser. Nr.: 013	147,20
0105	046583						Kit		GASKET; 1PZ=5MT		9,12
0107	049272								SUPPORT	c2,c3,c4,o,c5,c6,d3,d4,d5,a,c, b,d,w,i,e,a1,a2,b1,d6,d7,c7,c8 ,d1,d2,c9,v,a8,b9,b4,b5,m,n,b 6,b7,c1,b2,b3,a5,a7,f,g,h,k,q,r ,s,t,a4,b8,z,a9,x - Up to Ser. Nr.: 012	51,89
0107	049273								SUPPORT	c2,c3,c4,o,c5,c6,d3,d4,d5,a,c, b,d,w,i,e,a1,a2,b1,d6,d7,c7,c8 ,d1,d2,c9,v,a8,b9,b4,b5,m,n,b 6,b7,c1,b2,b3,a5,a7,f,g,h,k,q,r ,s,t,a4,b8,z,a9,x - Up to Ser. Nr.: 012	31,57
0107	0L2252								BASKET SUPPORT; LEFT	c2,c3,c4,o,c5,c6,d3,d4,d5,a,c, b,d,w,i,e,a1,a2,b1,d6,d7,c7,c8 ,d1,d2,c9,v,a8,b9,b4,b5,m,n,b 6,b7,c1,b2,b3,a5,a7,f,g,h,k,q,r ,s,t,a4,b8,z,a9,x - From Ser. Nr.: 013	19,22
0107	0L2254								BASKET SUPPORT; RIGHT	c2,c3,c4,o,c5,c6,d3,d4,d5,a,c, b,d,w,i,e,a1,a2,b1,d6,d7,c7,c8 ,d1,d2,c9,v,a8,b9,b4,b5,m,n,b 6,b7,c1,b2,b3,a5,a7,f,g,h,k,q,r ,s,t,a4,b8,z,a9,x - From Ser. Nr.: 013	19,22
0108	049285								PLAQUE		1,91
0109	049286								SHOCK ABSORBER		1,68
0110	049282								TIE ROD		16,36
0111	049283								PIN; FOR DOOR TIE ROD		6,45
0112	049372								NUT		1,02
0113	049284								RING		1,02
0114	049279								HINGE	Up to Ser. Nr.: 012	20,81
0114	0L2253				S				RIGHT HINGE	From Ser. Nr.: 013	6,97
0115	049280								HINGE	Up to Ser. Nr.: 012	20,13
0115	0L2251				S				LEFT HINGE	From Ser. Nr.: 013	6,97

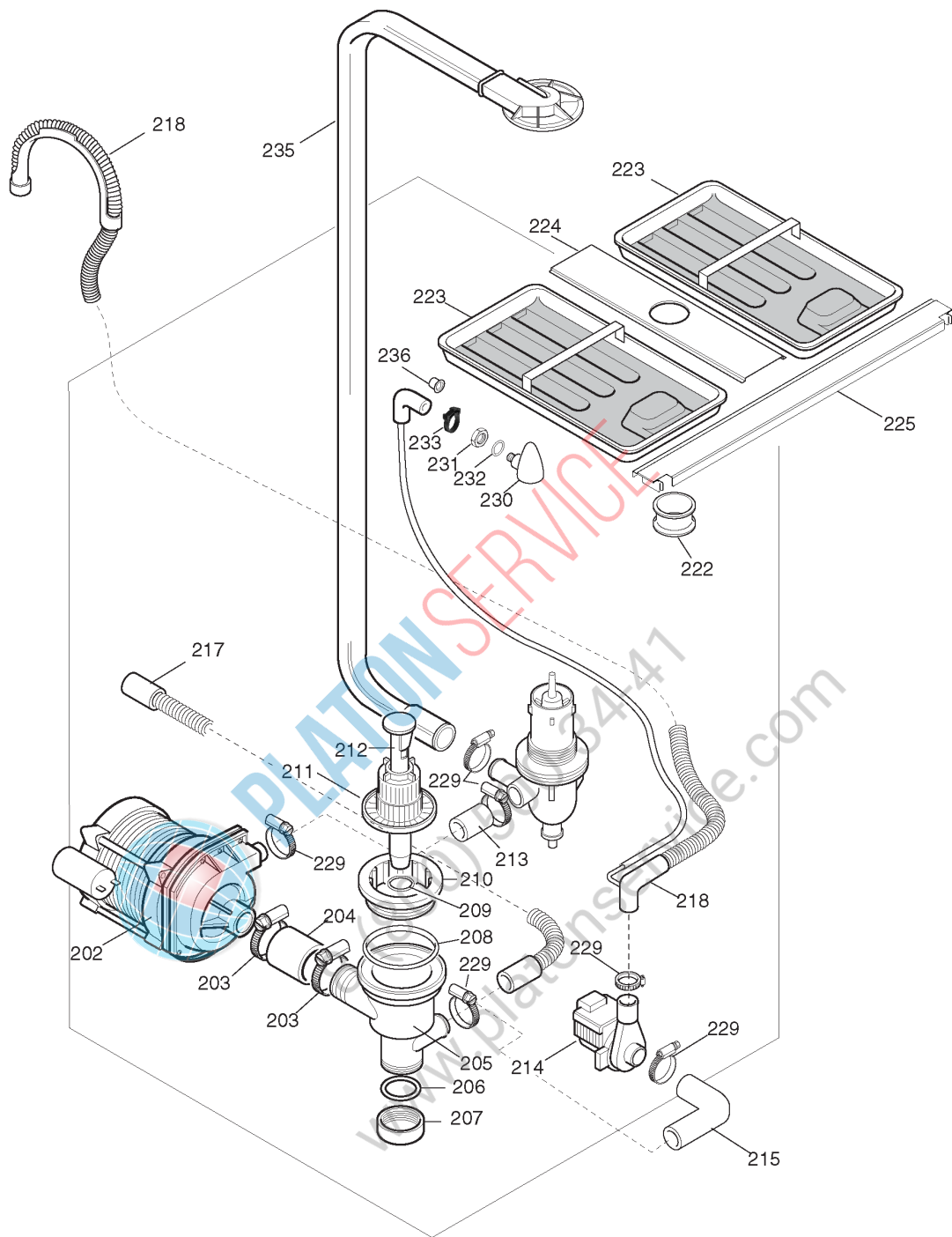
??????	400041									
??????	595665K00		???????? 3					Main view		
.		Alias		S			.			(Euro)
0116	049281							PIN	Up to Ser. Nr.: 012	18,36
0116	0L2255			S				HINGE PIN	From Ser. Nr.: 013	4,12
0117	049951		0L2068		D			DOOR	Up to Ser. Nr.: 920	
0117	0L2068			S				DOOR; ASSY	From Ser. Nr.: 921	219,20
0118	0L1649		0L2568					FRONT PANEL; LS5	Up to Ser. Nr.: 029	
0118	0L2568			S				FRONT PANEL	From Ser. Nr.: 030	57,35
0120	0L0112							COVERING		4,12
0128	049271							LATCH		53,90
0129	049536							CATCH		24,87
0130	0L0021			S				GASKET; L=592MM		5,06



PLATON SERVICE

8 (800) 500-34-41

www.platonservice.com



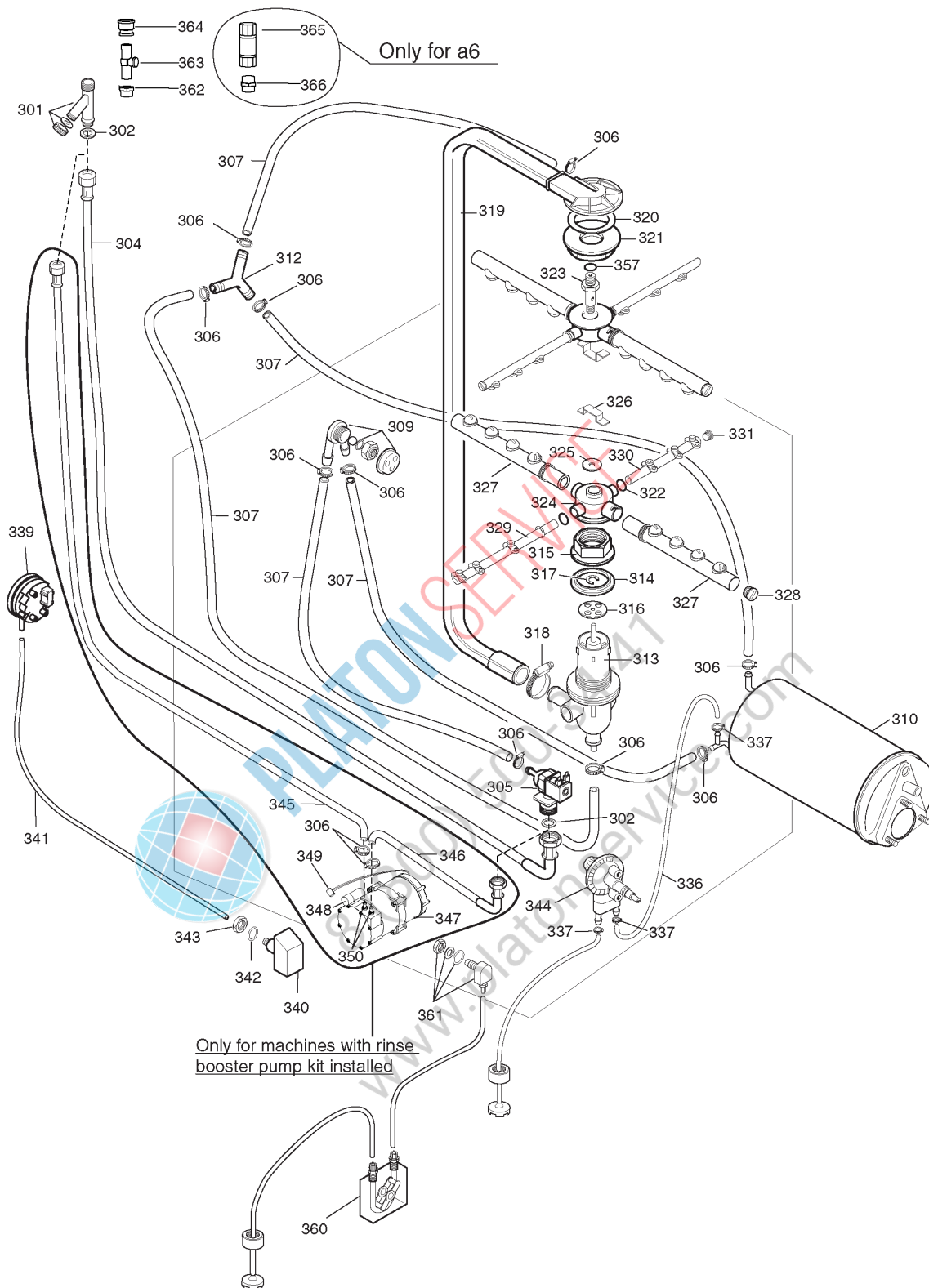
**ill. 595665K00\_p3**  
**Componenti idraulici / Hydraulic components**

Da Ser.Nr./From Ser.nr.: /839...

Page: 4 Ed. 2014-12

**Doc. Nr.: 595665K00**

??????	400041									
??????	595665K00	???????? 4					Hydraulic components			
.		Alias		S			.			(Euro)
0202	0L0126			S	A		WASH PUMP; ZF340SX; 230V 1PH; 50HZ	c2,c3,c4,o,c5,c6,d3,d4,d5,a,c,b,d,w,e,a1,d6,d7,c7,c8,d1,d2,c9,v,a8,b9,b4,b5,m,n,b6,b7,c1,b2,b3,a5,a6,a7,f,g,h,k,r,s,t,a3,b8,z,a9,x - 50Hz		222,30
0203	0L0193			S			CLMAP; 40-60/9			2,01
0204	0L0259			S			JUNCTION			4,33
0205	048325					+	DRAIN MANIFOLD			
0206	049828			S			O-RING; ØI=50MM; ØE=59,5MM			1,62
0207	046596						PLUG; FOR MANIFOLD			2,74
0208	049894						O-RING; ØI=110X4 MM			2,01
0209	046799						O-RING; FOR OVERFLOW PIPE			1,02
0210	048326						RING NUT; FOR MANIFOLD			6,12
0211	048324					+	PUMP SUCTION FILTER			10,64
0212	048842						OVERFLOW PIPE	c,d,e,g,n,o,k,r,i,q,w,x,v,z,a1,a2,a3,a4,a5,a6,a7,a8,a9,b1,b3,b5,b6,b7,b8,c1,c3,c5,c6,c7,c8,c9,d1,d2,d4,d6,d7,d8,d9,e1		8,23
0213	046257						HOSE; ØI=42MM; ØE=52MM; L=430MM			19,53
0214	0L0994		0L0692		A	+	CGX201 2-02 DRAIN PUMP; 220V 50 HZ; ASKOLL TIPO SC	c,d,e,g,n,o,k,r,w,x,v,z,a1,a3,a5,a6,a7,a8,a9,b3,b5,b6,b7,b8 - 50hz - Up to Ser. Nr.: 144		
0214	0L2133		0L2657		A	+	CGX201 2-02 DRAIN PUMP; TYPE DPO25 200/240V 50/60HZ	c,d,e,g,n,o,k,r,w,x,v,z,a1,a3,a5,a6,a7,a8,a9,b3,b5,b6,b7,b8,c1,c3,c5,c6,c7,c8,c9,d4,d6,d7,d8,d9,e1 - 50hz - From Ser. Nr.: 145		
0215	049877						SLEEVE	c,d,e,f,g,k,i,n,o,q,r,w,v,x,z,a1,a2,a3,a4,a5,a6,a7,a8,a9,b1,b2,b3,b4,b5,b6,b7,b8,c1,c2,c3,c5,c6,c7,c8,c9,d1,d2,d3,d4,d6,d7,d8,d9,e1		11,72
0218	049878						HOSE	c,d,e,g,n,o,k,i,q,r,w,x,v,z,a1,a2,a3,a4,a5,a6,a7,a8,a9,b1,b3,b5,b6,b7,b8,c1,c3,c5,c6,c7,c8,c9,d1,d2,d4,d6,d7,d8,d9,e1		18,06
0229	046878						HOSE CLAMP; 35-50/9			1,91
0230	048853						AIR CHAMBER			4,01
0231	049268						HEX NUT; M14X1,5			1,80
0232	068642						O-RING; ØI=15,54X2,62			1,02
0233	046946						CLAMP; 8-12/7,5	Up to Ser: 2014-49		2,22
0233	0L3522						PLASTIC CLAMP WITH RATCHET	Up to Ser: 2014-50		2,45
0235	0L0125			S			SUPPORTING TUBE FOR UPPER JETS			35,22
0236	049849						STOPPER			1,02



iii. 595665K00\_p4A  
 Circuito idraulico a pressione / Pressurized plumbing circuit

Da Ser.Nr./From Ser.nr.: /839...

Page: 5 Ed. 2013-06

Doc. Nr.: 595665K00



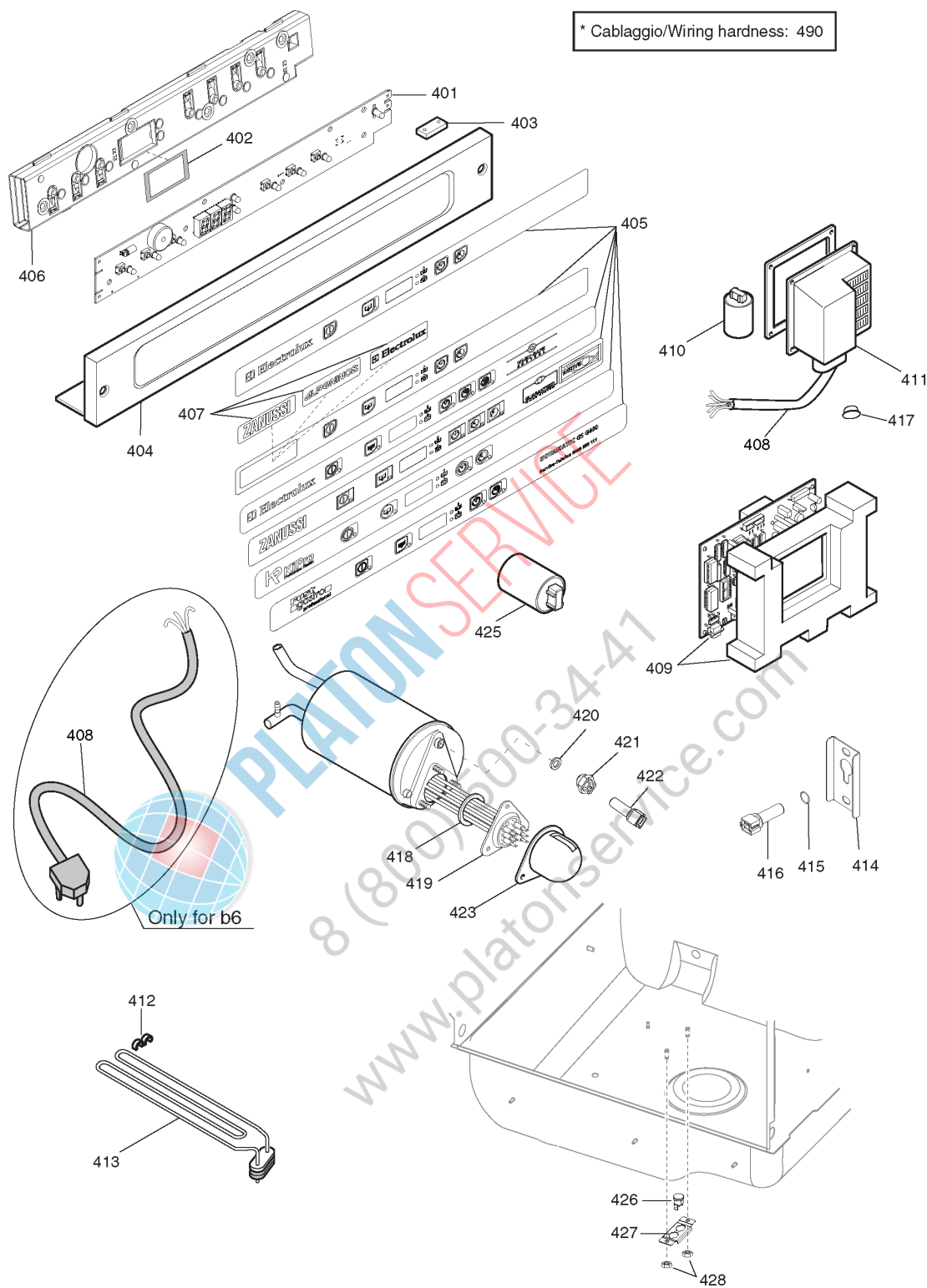
??????	400041								
??????	595665K00	???????? 5					Pressurized plumbing circuit		
.		Alias		S			.		(Euro)
0301	048834							STRAINER	13,63
0302	0L1945			S			Kit	GASKET; SET 50PCS; DIA.26,5MM	16,55
0304	0L1887			S				FEEDING HOSE; 2000MM	14,49
0305	048817		0L3440					SOLENOID VALVE; 220-240V 50HZ; 319P5	
0306	048126							CLIP; 13-20	1,58
0307	048531							RUBBER HOSE; ØI=12MM;ØE=19,5MM;BY METER	9,55
0309	0L1892			S				NONRETURN VALVE; HIGH TEMPERATURE	18,09
0310	0L0352			S	A			BOILER	From Ser. Nr.: 921
0310	0L1890		0L0352					BOILER; LS5	Up to Ser. Nr.: 920
0312	048195							3-WAY FITTING; 2XØ=12MM E 1XØ=8,6MM	6,58
0313	049290							SUPPORT	52,88
0314	048236							GASKET	3,69
0315	048330							RING NUT	5,29
0316	048820							SHUTTER	4,65
0317	048979							SNAP RING	1,42
0318	046878							HOSE CLAMP; 35-50/9	1,91
0319	0L0125			S				SUPPORTING TUBE FOR UPPER JETS	35,22
0320	0L0110			S				GASKET; ØI=88MM; ØE=120MM; H=1MM	8,63
0321	048824							RING NUT	3,48
0322	047473							O-RING; ØI=14MM; ØE= 17,56MM	1,02
0323	049292							PIN	20,40
0324	049293							HUB; FOR WASH ARMS	20,17
0325	047282							WASHER	8,13
0326	049294							WASHER PROTECTION	3,59
0327	049295							WASHING JET	13,52
0328	049296			S	A			CAP; FOR WASH ARM	2,43
0329	049297							RINSE JET	11,93
0330	049298							RINSE JET	11,93
0331	049299							CAP; RINSE ARM	4,12
0336	048883							RUBBER HOSE; 5X12; 1PZ=2300MM	12,31
0337	046946							CLAMP; 8-12/7,5	2,22
0339	049881						CGX200 4-07	PRESSURE SWITCH;TYPE 760;CALIB.=60/20-11	19,18
0340	048308							AIR TRAP; FOR PRESSURE GAUGE	4,44
0341	049904						CGX200 8-16	PRESSURE SWITCH HOSE; L=60CM	5,17
0342	068642							O-RING; ØI=15,54X2,62	1,02

??????	400041								
??????	595665K00	???????? 5					Pressurized plumbing circuit		
.		Alias		S			.		(Euro)
0343	049268						HEX NUT; M14X1,5		1,80
0344	0L3182		0L4295				RINSE AID DISPENSER	f,g,h,k,m,n,o,q,x,a6,a7,a8,b2,b4,b5,b6,c1,c2,c3,c4,c5,c6,c7,c9,d1,d2,d3,d4,d5,d6,d7,d8,e1 - From to Ser. nr. 348	70,34
0345	0L2394						FEEDER HOSE	Rinse booster pump kit	26,29
0346	0L2389						FEEDER HOSE	Rinse booster pump kit	27,81
0347	0L2391			S	A		RINSE PUMP; PS45	Rinse booster pump kit	223,30
0348	049126			S	A		CAPACITOR; 8MF	8 µF - Rinse booster pump kit	16,03
0349	0L2392				D		EL. CABLE; FOR GROUND	Rinse booster pump kit	3,38
0350	0L2390						RINSE PUMP; ASSY	(pos. 347 + pos. 349 + pos. 350) Rinse booster pump kit	239,50
0350	0L2393						RUBBER HOLDER; 3/8"; MALE	Rinse booster pump kit	17,11
0357	047986						GASKET		
0360	0L0696		0S1711		D		PUMP; F/DETERGENT	e,o,w,x,a6,b2,b4,b5,b6,b8 - Up to Ser: 2014-19	
0360	0S1711						PERISTALTIC PUMP DETERGENT; PG 3	e,o,w,x,a6,b2,b4,b5,b6,b8,b9,c7,c9,d8,e1 - From to Ser: 2014-20	
0361	049801					CGX200 0-22	DETERGENT INJECTOR	e,o,w,x,a6,b9,c6,c7,c9,d7,d8,e1	23,35



PLATON SERVICE  
8 (800) 500-34-47  
www.platonservice.com

\* Cablaggio/Wiring hardness: 490



iii. 595665K00\_p5  
Componenti elettrici / Electrical components

Da Ser.Nr./From Ser.nr.: /839...

Page: 7 Ed. 2015-11

Doc. Nr.: 595665K00

??????		400041									
??????		595665K00		????????? 7		Electrical components					
.		Alias		S			.				(Euro)
0401	0L1565		0L1626		D			USER INTERFACE BOARD			
0402	0L1943			S				GASKET			1,02
0403	0L1871			S	A	Kit		REED SWITCHT; KIT			20,40
0404	0L1667							CONTROL PANEL	c2,c3,c4,o,c5,c6,d3,d4,d5,a,c, b,d,w,i,e,d6,d7,c7,c8,d1,d2,c9 ,v,a8,b9,b4,b5,m,n,b6,b7,c1,b 2,b3,a6,a7,f,g,h,k,q,r,b8,z,a9, x		45,27
0405	0L1663			S				ADHESIVE MEMBRANE; LS5	f,g,h,o,k,q,r,x,z,a6,a8,a9,b2,b 4,b7,b9,c1,		17,40
0406	0L1567		0L1626		D			COVERING; LS5-6			
0407	000000	54864AK00									
0407	0L1664				D			ADHESIVE NAME PLATE; LS5/ LS6			
0407	0L1665							ADHESIVE; LS5/LS6			
0408	0L0025				D			CABLE; H07 RNF 5X2 5MMQ	b,d,e,h,m,n,o,k,t,v,a1,a3,a7,c1 ,c4,c5,c6,d5,d6,d7		35,02
0409	0L2583			S	A			PCB; DIWAP AZ60	b,d,e,h,m,n,o,k,s,t,v,z,a1,a2,a 3,a4,a5,a7,a9,b1,b7,c1,c4,c5, c6,c8,d5,d6,d7,d9		211,10
0410	049303							RADIO INTERFERENCE FILTER; 250V 50/60HZ	b,d,e,h,m,n,o,k,t,v,z,a1,a2,a3, a4,a7,a9,b1,b7 - Up to Ser. Nr.: 213		23,55
0411	0L0111			S				JUNCTION BOX	b,d,e,h,m,n,o,k,t,v,z,a1,a2,a3, a4,a7,a9, b1,b7,c1,c4,c5,c6,c8,d5,d6,d7 ,d9		40,30
0412	048429							BRACKET			2,01
0413	049954		0L2109					TANK HEATING ELEMENT	Up to Ser. Nr.: 946		
0413	0L2109			S	A			TANK HEATING ELEMENT; 230V-2000W	c2,c3,c4,o,c5,c6,d3,d4,d5,a,c, b,d,w,i,e,d6,d7,c7,c8,d1,d2,c9 ,v,a8,b9,b4,b5,m,n,b6,b7,c1,b 2,b3,a5,a6,a7,f,g,h,k,q,r,s,t,b8 ,z,a9,x - From Ser. Nr.: 947		33,29
0414	0L0366			S				SUPPORT			3,44
0415	0L2303			S				O-RING; DIA.9,25X1,78			1,02
0416	049643							TEMPERATURE PROBE			9,76
0418	0L2765			S				O-RING; 5,34X47,00MM; SILICON			1,92
0419	049955		0L2652					HEATING ELEMENT; 4500W 230V	b,d,e,h,m,n,o,k,a7 - Up to Ser. Nr.: 017		
0419	0L2652			S	A			HEATING ELEMENT; 230V 4500W	b,d,e,h,m,n,o,k,a7,c1,c4,c5,c6 ,d5,d6,d7 - From Ser. Nr.: 018		54,81
0420	0L2303			S				O-RING; DIA.9,25X1,78			1,02
0421	0L0280			S	A			STUFFING BOX			11,51
0422	049643							TEMPERATURE PROBE			9,76
0423	065560							CAP; FOR BOILER HEATING ELEMENT			1,80
0425	049901							INDUCTIVE-CAPACITIVE FILTER;SINGLE PHASE	b,d,e,h,m,n,o,k,t,v,z,a1,a2,a3, a4,a7,a9, b1,b7,c1,c4,c5,c6,c8,d5,d6,d7 ,d9 - From Ser. Nr.: 236		16,36
0426	0L2895			S				SAFETY THERMOSTAT; 105°C			8,23
0427	0L2894							BRACKET			5,37
0428	0C8219			S				NUT			1,02